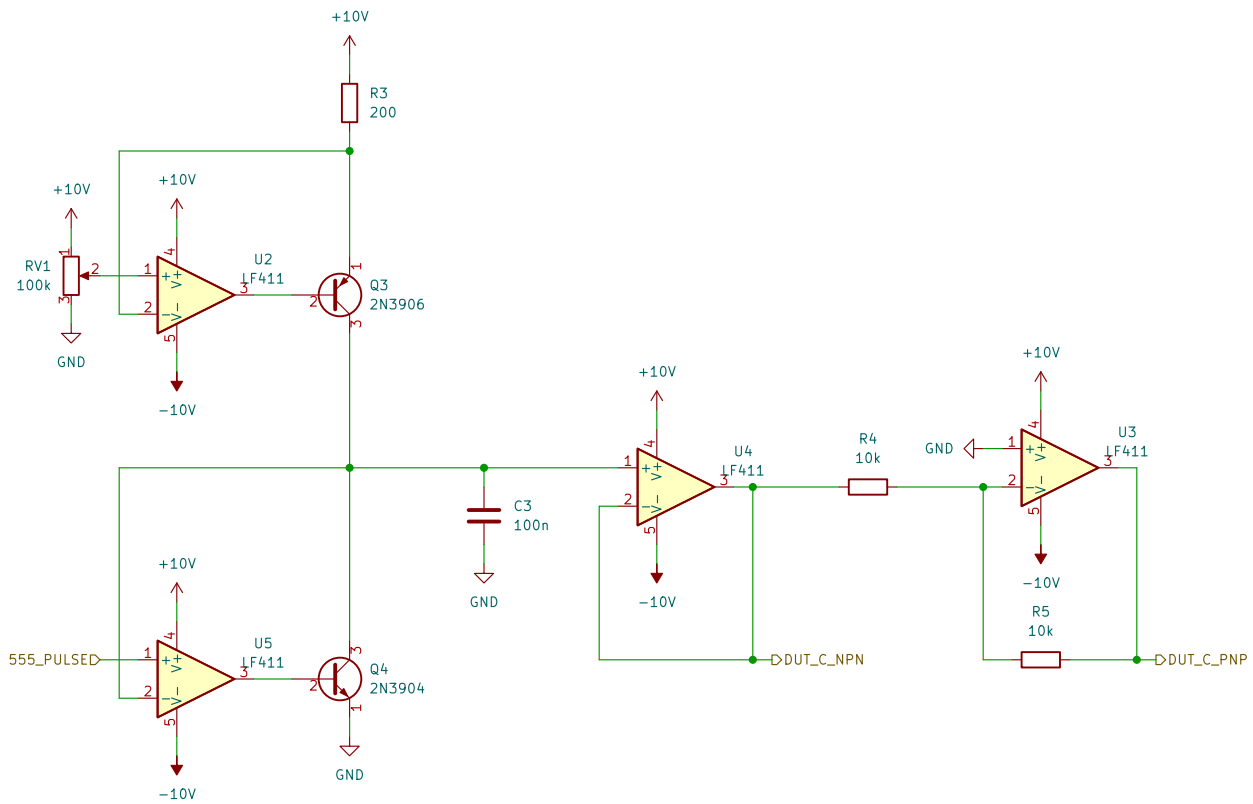


Sheet: /
 File: curvetrace.kicad_sch

Title: I-V curve tracer

Size: USLetter | Date: 2023-07-30
 KiCad E.D.A. kicad (6.0.7-1)-1

Rev: 1.0
 Id: 1/4

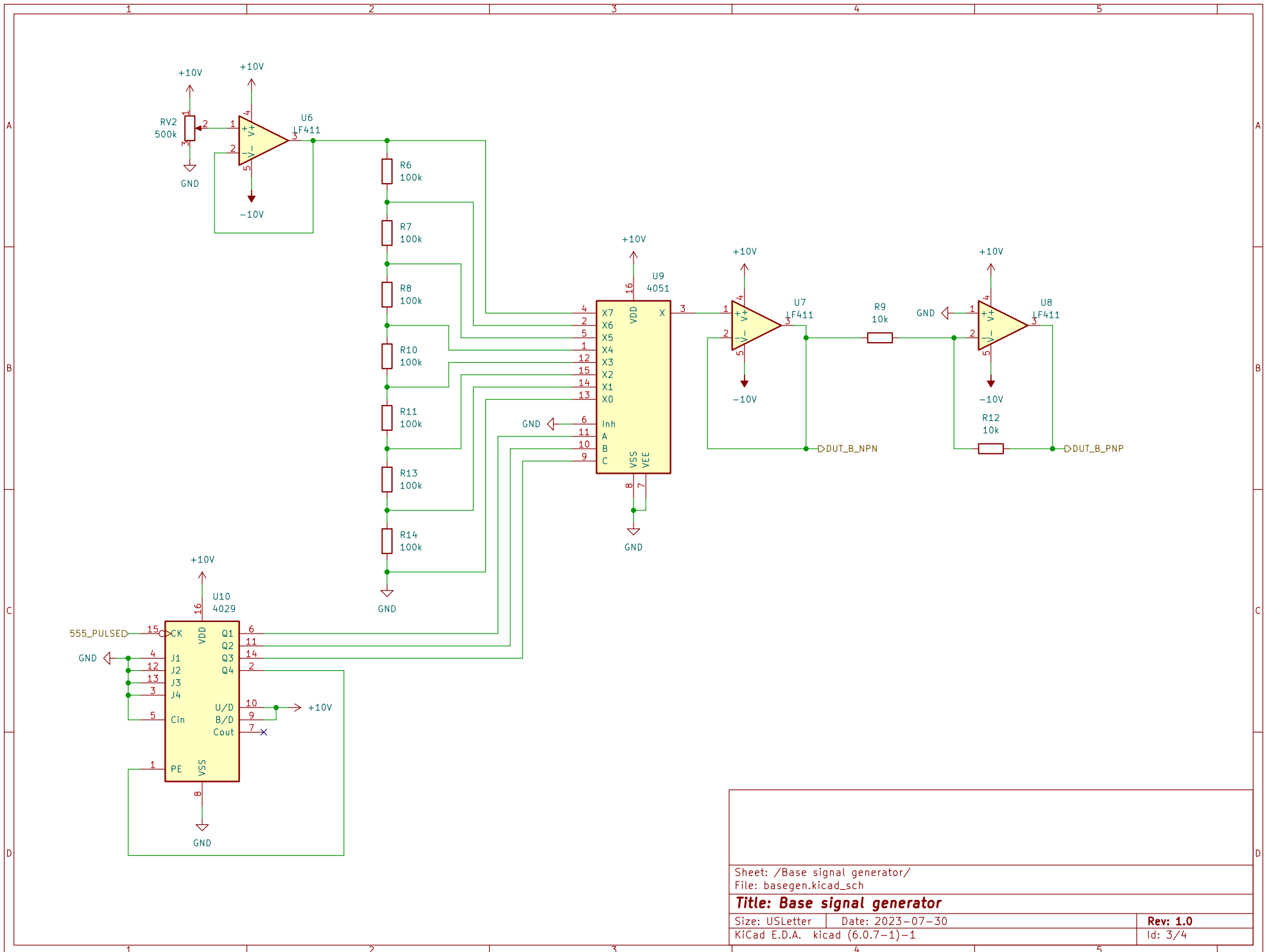


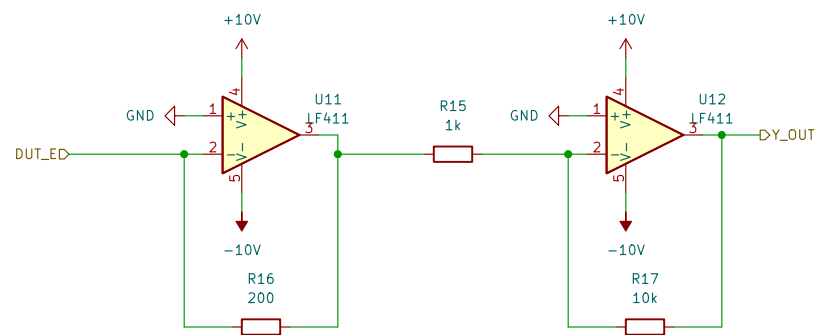
Sheet: /Collector signal generator/
 File: collectorgen.kicad_sch

Title: Collector signal generator

Size: USLetter | Date: 2023-07-30
 KiCad E.D.A. kicad (6.0.7-1)-1

Rev: 1.0
 Id: 2/4





Sheet: /Emitter current sensor/
File: isense.kicad_sch

Title: Emitter current sensor

Size: USLetter Date: 2023-07-31
KiCad E.D.A. kicad (6.0.7-1)-1

Rev: 1.0
Id: 4/4